

Mini Filter Regulator



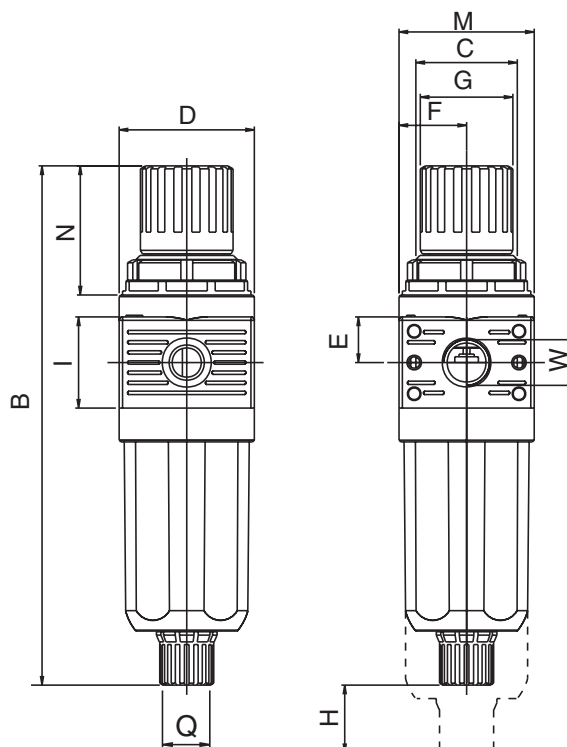
Main Features

Rolling membrane regulation valve with secondary air bleed, admission pressure compensation, without intrinsic consumption, with detent-stop adjusting knob, condensate collector with filter cartridge, filter element 20 µm – others on request, please refer to page 3.14 – semi-automatic discharge.

Technical information

Operating pressure in p1: Max. 15 bar at 20° C
 Operating pressure out p2: 0 bar ... 12 bar, others on request
 Operating medium: Compressed air
 Operating temperature: -10° C ... + 50° C
 Installation positioning: Vertical
 Materials: Body and Shell: Technopolymer
 Gaskets: NBR
 Filter: Sintered bronze
 End parts: Die-cast zinc

Pressure gauge (included in delivery):
 Accuracy class: 1,6
 Diameter: 40 mm
 Connecting thread: G 1/8 "
 Indicator range: 0 ... 12 bar



	FR-0
A	
B	156
C	40
D	40
E	13,5
F	20
G	27,5
H	11
I	27
J	
K	
L	D X M3
M	
N	40
W	1/8"-1/4"

Family	Port Size	Flow Rate qnN*	Bowl Capacity	Part Number
Mini (0)	G 1/8"	600 l/min	17,5 cm ³	FR-0-1/8
Mini (0)	G 1/4"	600 l/min	17,5 cm ³	FR-0-1/4

* Measured at p1=10 bar, p2=6 bar, Δp=1 bar according to CETOP RP 50P

